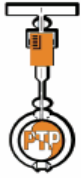


Designed and
Manufactured
in USA

U.S. BELLOWS, INC. ®

EXPANSION JOINTS

Member of EJMA



Piping Technology
& Products, Inc.



Pipe Shields Inc.



Sweco Fab. Inc.



Anchor/Darling
Enterprises, Inc.



Member of EJMA since 2002



Over 3 Million Expansion Joints and
Pipe Supports in Service Globally



40+ Years of Expansion Joint
Design, Manufacturing, and Service



50+ Design Engineers in USA



Comprehensive Global On-Site Services
for Expansion Joints including Installation,
Repair, Inspection, and Testing

Thin-Wall: Single, Hinged, Gimbal, Universal, Elbow Pressure Balanced,
In-Line Pressure Balanced, Externally Pressurized & Toroidal, Thick-Wall:
Flanged & Flued, Fabric & Rubber, Rectangular, Slip-Type, Stock Bellows

Email: sales@usbellows.com | Phone: +1 (281) 241-9418 / (855) 591-0906 |

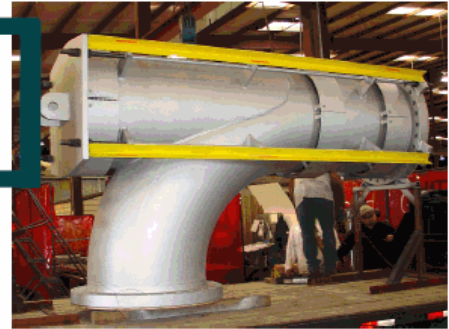
Address: 3701 Holmes RD, Houston, TX | Website: usbellows.com

U.S. Bellows In Action



63" In-line Pressure Balanced Expansion Joint with Refractory Lining for Clean Fuels Project

36" Pressure Balanced Elbow Expansion Joint with Inconel 625 LCF Bellows



42" Dia. Hinged Universal Expansion Joint Designed with Panto-graphic Linkage

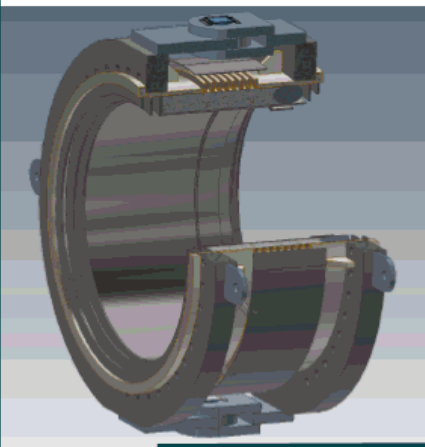


Universal Expansion Joint with 5" Thick Refractory Lining for a Styrene Plant



32" Dia. Elbow Pressure Balanced Expansion Joint for an Exhaust Duct in a Power Plant

44" Double Gimbal Universal Expansion Joint Designed for an Oil Refinery



Reversed Engineered a 72 year old Single Hinged Expansion Joint for A Refinery in Louisiana within 72 Hours to get the Plant back into Production (with 3-D drawing)

Email: sales@usbellows.com | Phone: +1 (281) 241-9418 / (855) 591-0906 |

Address: 3701 Holmes RD, Houston, TX | Website: usbellows.com